



Explosion Protected Group IIB Zone 1

Ex d IP66 - Stainless Steel Enclosure

Fibre Optic Rotary Joint Option

Applications include Cranes, Cable Reels and Winches

OPTIONS

- Multi-pass Fibre Optic Rotary Joint
- Trolex Gas / Fluid Swivel
- Anti-condensation heater

CABLE ENTRY OPTIONS

The unit is supplied with factory fitted leads - the following options are available:

- Flying leads through a compound filled stopper box threaded to receive a suitable conduit
- Multi-core cable with appropriate cable gland
- Trolex Ex d multi-pin connector
- Trolex Ex d or Ex e junction box

OPERATING SPECIFICATION

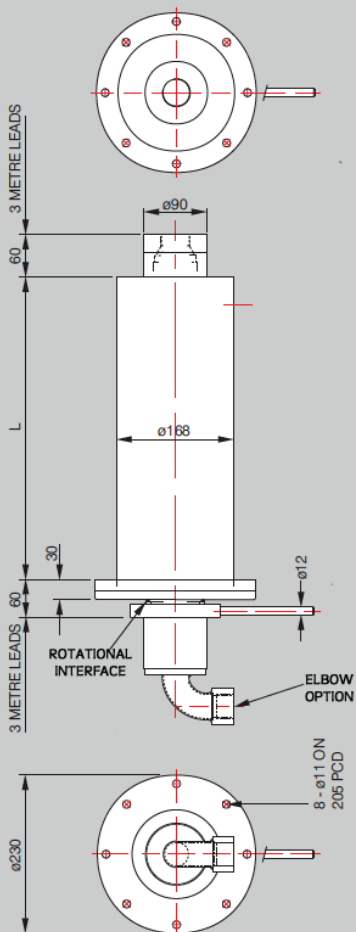
Ambient Temperature Range	-20 °C to +40 °C (other temperature ranges available)
Maximum Speed	50 rpm (higher on request)
Maximum Voltage	4500 V ac
Current Ratings	Max. 60 Amps per ring (may be used in parallel). Up to 136 rings subject to total throughput of 400 Amps excluding earths, screens and neutrals

TECHNICAL DETAILS

External Material	316 Stainless Steel
Bearings	Sealed for life, ball journal
Slip Rings	Phosphor bronze (precious metal plated for signals)
Brushes	Minimum of 2/ring (copper graphite for power, silver graphite for signals)
Fasteners	Stainless Steel Metric

APPROVAL

Certification	ATEX - Standard	Baseefa 14ATEX0049X Ex II 2 GD Ex d IIB T5 Gb T _{amb} -20 °C to +40 °C Ex tb IIIC T100 °C Db IP66
	ATEX - Utilising the FORJ	Baseefa 14ATEX0049X Ex II 2 GD Ex d op is IIB T5 Gb T _{amb} -20 °C to +40 °C Ex tb IIIC T100 °C Db IP66
	IECEx - Standard	IECEx BAS13.0055X Ex d IIB T5 Gb T _{amb} -20 °C to +40 °C Ex tb IIIC T100 °C Db IP66
	IECEx - Utilising the FORJ	IECEx BAS13.0055X Ex d op is IIB T5 Gb T _{amb} -20 °C to +40 °C Ex tb IIIC T100 °C Db IP66



Dimension L is determined by the size and number of rings and is detailed on our quotation