

SLIP RING COLLECTOR

Explosion Protected Group IIB Zone 1

Exd Ring Enclosure

Exe Terminal Boxes

Hollow Shaft Option



OPERATING SPECIFICATION

Ambient Temperature Range	-30°C to +40°C (higher available)
Maximum Speed	20rpm (higher on request)
Maximum Voltage	770VAC
Maximum Throughput Current	810 amps excluding earths and neutrals
Protection	IP66
Mounting	In any plane

TECHNICAL DETAILS

Housing Material	Stainless Steel grade 316
Shaft	Carbon Steel 080M40
Bearings	Sealed for life ball journal
Slip Rings	Phosphor bronze (precious metal plated for signals)
Brushes	Minimum of 2 per ring (Copper Graphite for power, Silver Graphite for signals)
Fasteners	Stainless Steel metric

APPROVAL

Certification:

Baseefa02ATEX0180 (Ex) II 2 G D CE 1180

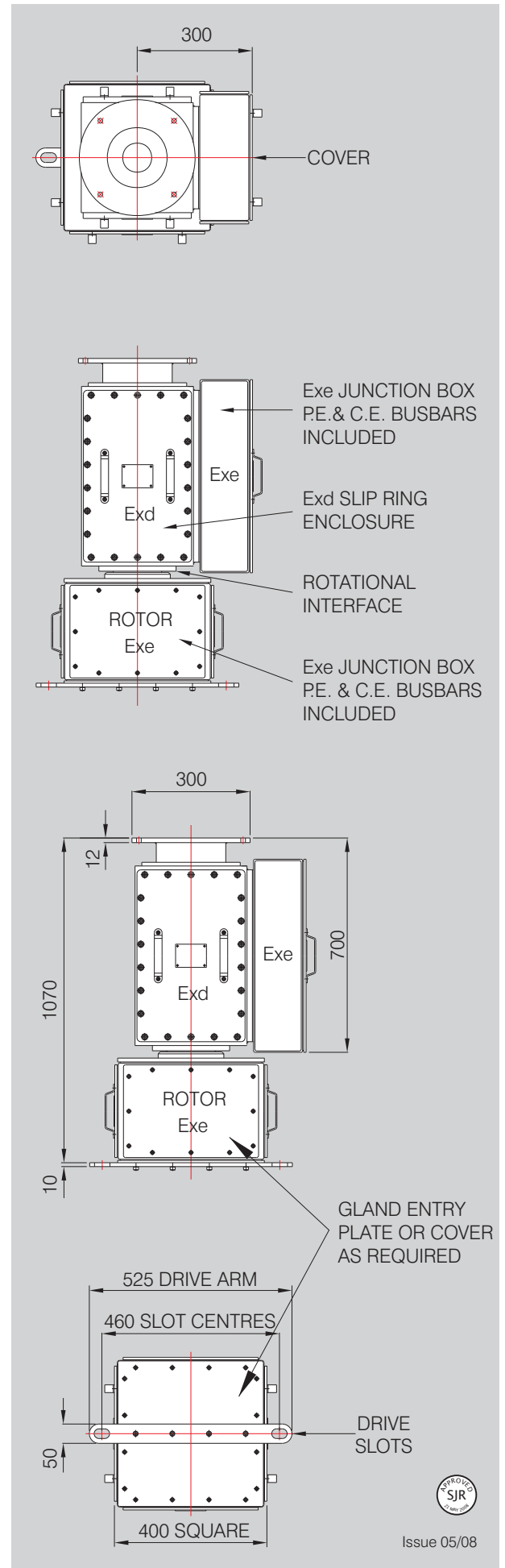
To EN60079-0 EN60079-1 EN60079-7

IEC 61241-0 IEC 61241-1

Code Exde IIB Ex tD A21 IP65 T100°C

(-30°C ≤ T amb ≤ +40°C)

Zones 1, 2, 21 & 22



Trox Engineering

T.E.L. Engineering Limited

Newby Road, Hazel Grove, Stockport SK7 5DA UK

Tel: +44(0)161 456 6545 Fax: +44(0)161 456 3810

E-mail: mail@trolexengineering.co.uk