

SLIP RING COLLECTOR

Explosion Protected Group IIB Zone 1

Exd IP66 Enclosure

316 Stainless Steel



For Cable Winches, Cranes,
 Rotating Bridges, Swivel Stacks
 and Material Handling Equipment

OPERATING SPECIFICATION

Ambient Temperature Range	-20°C to +40°C (see options)
Maximum Speed	100rpm (higher on request)
Maximum Voltage	2000VAC
Ring Ratings	5 to 32 amps

TECHNICAL DETAILS

Material	316 Stainless Steel (External Components)
Bearings	Sealed for life ball journal
Slip Rings	Phosphor bronze (precious metal plated for signals)
Brushes	Copper Graphite (silver graphite for signals)
Fasteners	Stainless Steel metric

CABLING

Entries	Shaft 1-M16, M20, M25 or M32 Housing 1 or 2 M16, M20, M25 or M32
Glands	Exd IIB or IIC
Termination	By customer (subject to ring rating or Trolex fitted flying leads)

OPTIONS

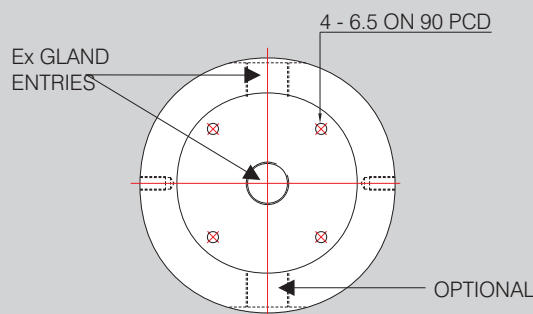
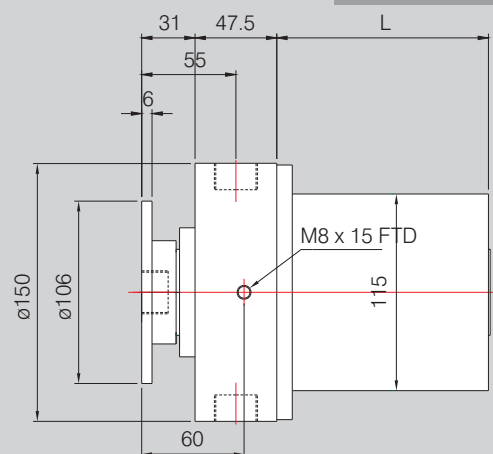
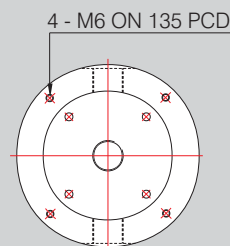
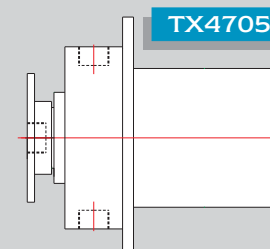
- ❖ Drive and mounting arrangement to suit Customer
- ❖ Fibre Optic Rotary Joint
- ❖ Combined with fluid/gas swivel (inert gases only)
- ❖ Special features to handle I.S. circuits
- ❖ Increased ambient temperature range -40°C to 60°C (T135°C)

APPROVAL

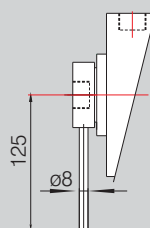
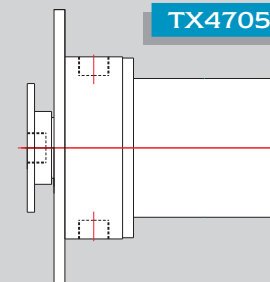
Certification:
 Baseefa02ATEX0190X Ⓜ II 2 G D C(1180
 Code Exd IIB Ex tD A21 IP66 T85°C (T amb = -20°C to +40°C)
 To EN60079-0 EN60079-1
 IEC61241-0 IEC 61241-1
 Zones 1, 2, 21 & 22

Trolex Engineering

T.E.L. Engineering Limited
 Newby Road, Hazel Grove, Stockport SK7 5DA UK
 Tel: +44(0)161 456 6545 Fax: +44(0)161 456 3810
 E-mail: mail@trolexengineering.co.uk

TX4705.00.10

TX4705.00.11

TX4705.00.12

TX4705.00.20

- .21
- .22
- .23


TX4705.00.13


Dimension L : dependent on number of Slip Rings

